



DONGXU HYDRAULICS



WhatsApp



Web

Dongxu Guangdong Company

Add.: C3 New Light Source Park, Foshan, Guangdong, China

Tel: 400 8779122

E-mail: hannah@dongxuhydraulics.com

WhatsApp: +86 139 2992 3909

Web: www.dongxuyeya.com

Dongxu Jiangsu Company

Add.: Build.77, No.288 HubinNorth Road, Wuxi, Jiangsu, China

Tel: 400 8776122

E-mail: hannah@fsdxxy.com

WhatsApp: +86 139 2992 3909

Web: www.jshlk.com

Dongxu Europe Company

Add.: Vogelsanger Weg 91 40470 Duesseldorf Germany

Tel: 0049 211 2204 4607

E-Mail: europa@dxhydraulics.com

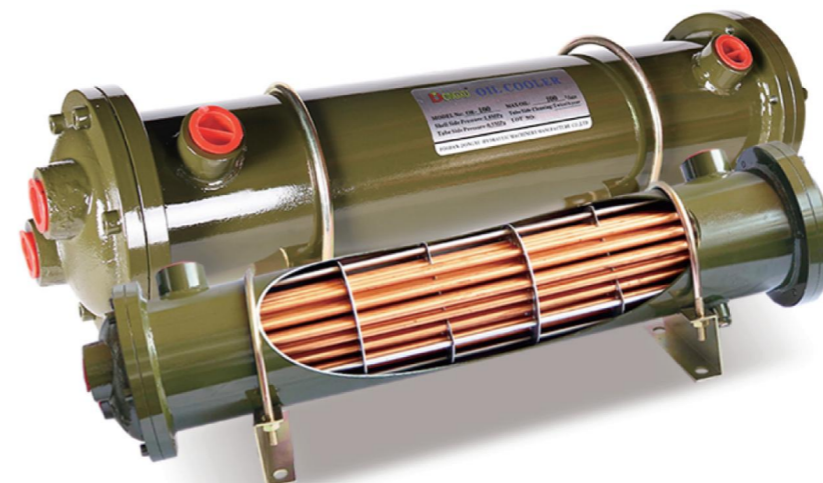
WhatsApp: +49 177 6970 861

Web: www.dxhydraulics.com



Over 1,000,000 units sold 6,000+ customers served
Product lifespan of up to 10 years

Providing solutions for fluid cooling



Dongxu Hydraulic Machinery Co., Ltd.



ISO9001



DONGXU HYDRAULICS



Partners



CONTENTS

01	Overview Company profile Development Milestones Enterprise honor	03-08
02	Product series OR Series features multi-pipe diversionary cooling DX Series offers semi-inserted cooling options DC Series offers finned spiral cooling HKDL-P Series utilizes aluminum stacked-plate cooling	09-14



COMPANY PROFILE

Foshan Nanhai Dongxu Hydraulic Machinery Co., Ltd. ("Dongxu Hydraulics"), founded in 2002, we are a pioneering company specializing in research, development, and manufacturing, with a primary focus on fluid temperature control for industrial equipment, hydraulic lubrication fluid control systems, and hydraulic components.

With a diverse portfolio of products, we serve a wide range of industries, including new energy, energy storage, semiconductor, data centers, power equipment, metallurgy, forging, construction machinery, electrical machinery, petrochemicals, machine tool industry, offshore vessels, mining machinery, papermaking machinery, industrial automation control, and intelligent manufacturing. With an unwavering commitment to quality, our market presence spans nationwide and extends to Europe, Southeast Asia, and North America, making us a strategic partner for renowned domestic and international enterprises.

At Dongxu Hydraulics, we attribute our success to our relentless pursuit of innovation and development. To achieve this, we have established a dedicated R&D team comprising exceptional technical talents from both domestic and international backgrounds. Collaborating with prestigious institutions such as Zhejiang University, South China University of Technology, Tsinghua University, Yanshan University, and Yangzhou University, we leverage practical technology, emerging technology, and service technology as the foundation for our research and development efforts. Currently, we have successfully transformed over sixty patented achievements, constantly driving our company's growth through sustained innovation.

To cater to the evolving needs of our customers, we have established production and R&D centers in Foshan, Chengdu, and Wuxi. Complemented by an extensive after-sales and service network, we ensure comprehensive coverage across both domestic and select international markets. Our commitment to excellence has been recognized through prestigious accolades, including Provincial-level Specialized, Focused, New and High-tech Enterprise, National-level High-tech Enterprise, Chairman Unit of Foshan Hydraulic and Pneumatic Industry Association, as well as Innovative Small and Medium-sized Enterprise. Furthermore, we have obtained certifications such as ISO 9001 (quality management), ISO 4001 (environmental management), ISO 10012 (measurement management), GB/T 29490-2013 (intellectual property management), and CE (EU export).

Driven by our vision to "Create a national brand for Chinese manufacturing", while placing customer satisfaction at the core of our operations, we strive to become a trusted and admired brand enterprise, continuously pushing the boundaries of innovation with our intelligence and creative spirit. Our ultimate goal is to be the preferred partner for global machinery and equipment providers.



Provincial Specialized, Focused, New and High-tech Enterprise



Provincial High-tech Enterprise



CE European Safety Compliance Certificate



ISO10012 Measurement Management System Certification

Vision

To create a national brand made in China, to become a brand enterprise trusted and loved by users, to be a high-growth enterprise with sustainable operation, and to be a company with a sense of social responsibility

Service Philosophy

Our service philosophy is to keenly grasp application trends, promptly meet customer needs, pursue excellence, provide high-quality products, prioritize customer-centricity, and exceed customer satisfaction.

Core Values

Our service philosophy is to keenly grasp application trends, promptly meet customer needs, pursue excellence, provide high-quality products, prioritize customer-centricity, and exceed customer satisfaction.

Business Philosophy

Our business philosophy is built on integrity and loyalty, placing customers first, focusing on expertise, aligning goals, emphasizing quality, and fostering continuous innovation.

Team Spirit

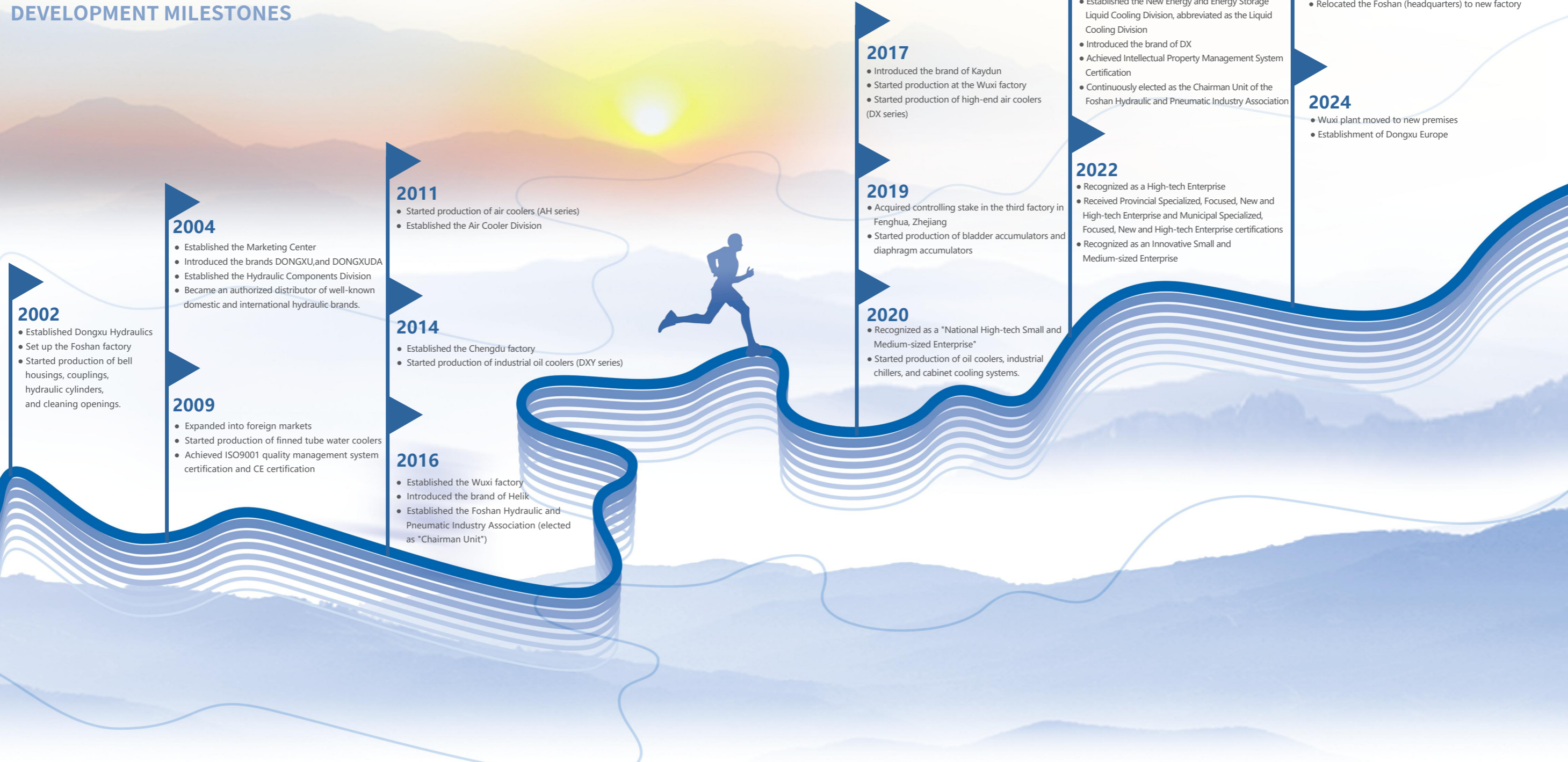
Our team spirit is characterized by diligence and dedication, honesty and integrity, courage and loyalty, optimism and confidence, a passion for learning, proactive advancement, innovation and contribution, a strong focus on cooperation, and an ownership mentality.

Subordinate brand



OUR 23-YEAR CORPORATE GROWTH JOURNEY

DEVELOPMENT MILESTONES



ENTERPRISE HONOR

The company strictly complies with the ISO9001:2015 Quality Management System and has formulated the 'ISO9001:2015 Quality Manual' to provide strict control over high-quality products.



Intellectual Property Management System Certification



ISO9001 Quality Management System Certification



ISO14001 Environmental Management System Certification



ISO10012 Measurement Management System Certification



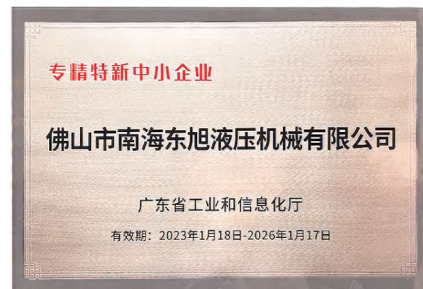
CE European Safety Compliance Certificate



Appearance Design Patent Certificate



Utility Model Patent Certificate



Provincial Specialized, Focused, New and High-tech Enterprise



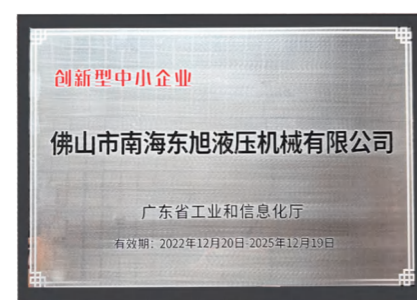
Provincial High-tech Enterprise



Municipal Specialized, Focused, New and High-tech Enterprise



National-level Technology-based Small and Medium-sized Enterprise



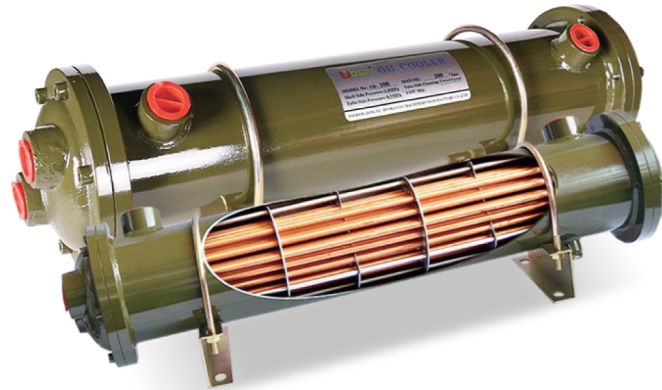
Innovative Small and Medium-sized Enterprise



Chairing unit of the Foshan Hydraulic Pneumatic Industry Association

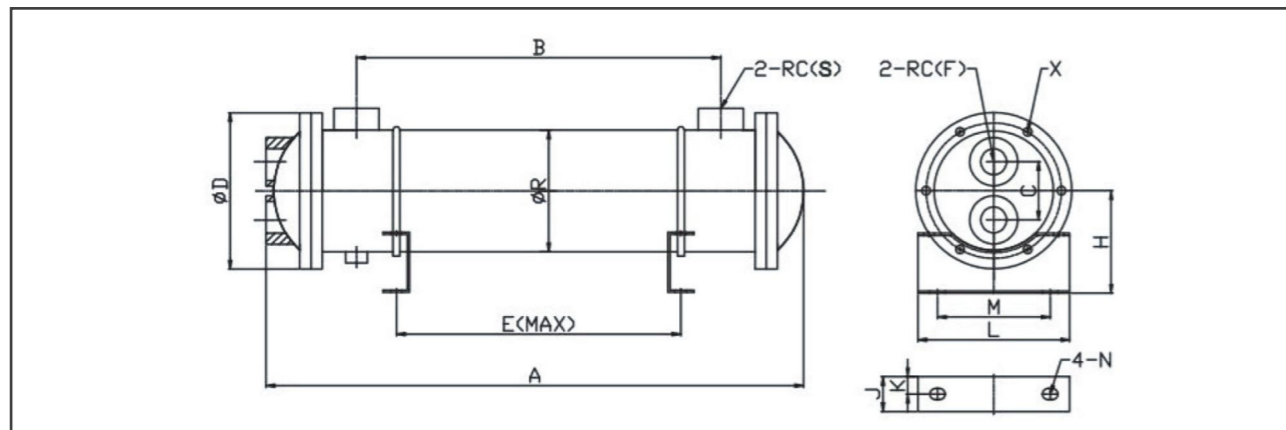
OR SERIES FEATURES MULTI-PIPE DIVERSIONARY COOLING

Product description



- 1. Wide Heat Transfer Area**
DONGXU cooper pipes number are 3 times above than fin tubetype and roll-tooth type ones.
- 2. High Effective Thermal Conductivity**
Made of 100% Red Coopers Pipes ensure over 0.95 thermalconductivity.
- 3. No Oil Leaking**
Avoid mixing water and oil and pass the Gas Tight Performance Test before shipment.

Product size drawing



Type parameter list

Model NO	A	B	C	R	D	E	H	J	K	L	M	N	X	S	F	Design Flow (L/min)
OR-60	450	305	55	89	120	210	84	34	13	95	57	11-20waistband	4-M8	3/4"	3/4"	60
OR-100	555	390	60	114	150	280	104	30	13	150	95	11-20waistband	6-M8	3/4"	3/4"	100
OR-150	575	380	70	140	180	280	118	30	13	175	130	11-20waistband	6-M8	1 1/4"	1"	150
OR-250	780	580	70	140	180	480	118	30	13	175	130	11-20waistband	6-M8	1 1/4"	1"	250
OR-350	1175	985	70	140	180	885	118	30	13	175	130	11-20waistband	6-M8	1 1/4"	1"	350
OR-600	1175	950	110	165	215	760	142.5	30	13	203	160	14-17waistband	8-M8	2"	1 1/4"	600
OR-800	1700	1470	110	165	215	1280	142.5	30	13	203	160	14-17waistband	8-M8	2"	1 1/4"	800
OR-1000	2140	1890	110	165	215	1700	142.5	30	13	203	160	14-17waistband	8-M8	2"	1 1/4"	1000
OR-1200	2530	2270	110	165	215	2080	142.5	30	13	203	160	14-17waistband	8-M8	2"	1 1/4"	1200

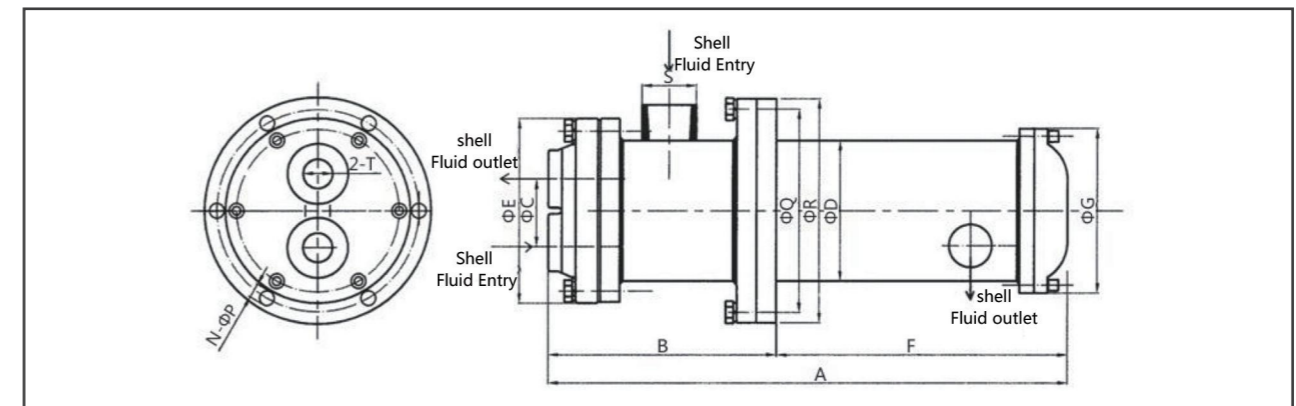
DX SERIES OFFERS SEMI-INSERTED COOLING OPTIONS

Product description



1. Small space and compact structure.
2. Insertion installation, saving space and simple oil circuit.
3. Using high-quality copper tube and aluminium sheet, heat transfer performance is efficient, energy-saving and environmental protection.
4. Integral structure, high efficiency, beautiful and saving customers' tubing joints. The cost of parts and assembly time are saved.

Product size drawing



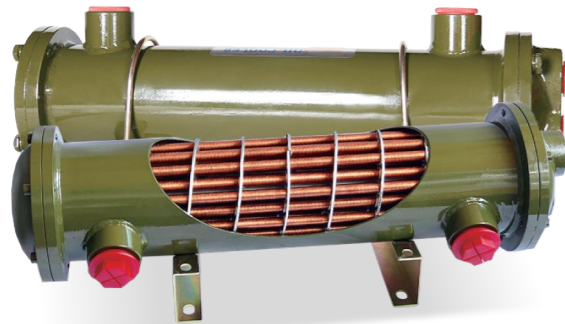
Type parameter list

Model NO	A	B	C	φD	φE	F	φG	N-φP	φR	φQ	S	T	Cooling area (m ²)
DX-105	453	150	45	89	120	303	120	6-M8	176	152	Rc1" DC20	Rc3/4"	0.5
DX-107	447					0.7							
DX-109	591					0.9							
DX-208	469	173	60	114	150	396	150	8-M8	208	182	Rc1 1/4" DC32	Rc3/4"	0.8
DX-211	440					1.1							
DX-215	584					1.5							
DX-218	728					1.8							
DX-309	494	200	75	139	180	294	180	8-M10	234	214	Rc1 1/2" DC40	Rc1"	0.9
DX-318	438					1.8							
DX-322	546					2.2							
DX-326	654					2.6							
DX-330	762					3.0							
DX-334	870					3.4							

cautions: drainage pipes should be arranged in northern ice-covered areas, and cooling water should be drained clean when not working, so as not to freeze and crack the cooler!

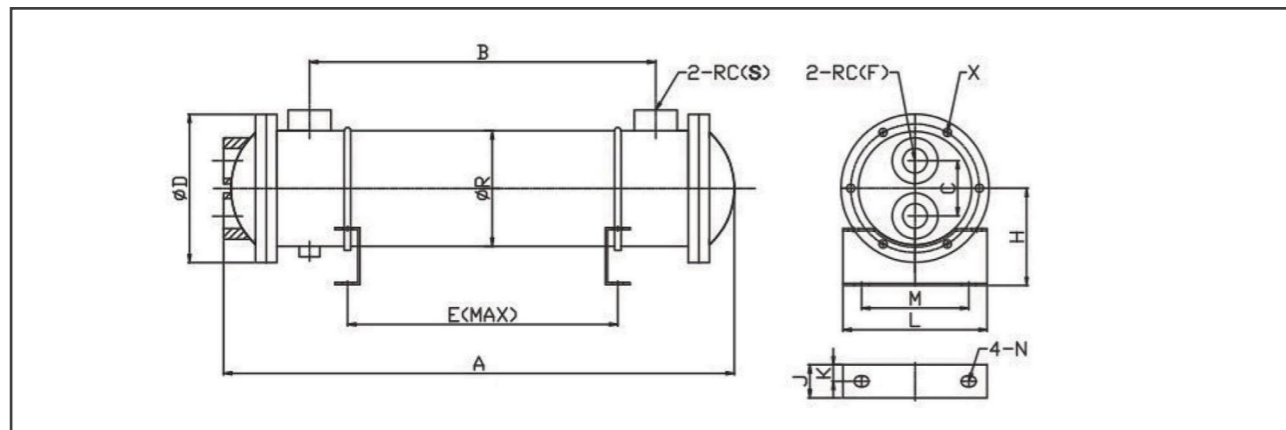
OR SERIES FEATURES MULTI-PIPE DIVERSIONARY COOLING

Product description



For the D-Series fin screw guide plate water-cooled oil cooler, we have introduced Japan's advanced technology adopted spiral guide plate to guide oil fluid to form helical even after flow. and at the same time, used fin-type heat exchange tube with a high heat exchange rate, and an advanced sealing technique, thus greatly enhancing the cooling effect of this cooler.

Product size drawing



Type parameter list

Model NO	A	B	C	R	D	E	H	J	K	L	M	N	X	S	F	Design Flow (L/min)
DC-303	319	55	152	89	120	60	84	34	13	95	57	11-20waistband	4-M8	1"	3/4"	100
DC-304	391	55	224	89	120	130	84	34	12	95	57	11-20waistband	4-M8	1"	3/4"	100
DC-305	463	55	296	89	120	200	84	34	11	95	57	11-20waistband	4-M8	1"	3/4"	100
DC-306	535	55	368	89	120	270	84	34	10	95	57	11-20waistband	4-M8	1"	3/4"	100
DC-307	607	55	440	89	120	340	84	34	9	95	57	11-20waistband	4-M8	1"	3/4"	100
DC-308	679	60	512	89	120	410	84	34	8	95	57	11-20waistband	4-M8	1"	3/4"	100
DC-309	751	60	584	89	120	480	84	34	7	95	57	11-20waistband	4-M8	1"	3/4"	100
DC-310	823	60	656	89	120	550	84	34	6	95	57	11-20waistband	4-M8	1"	3/4"	100
DC-311	895	60	728	89	120	620	84	34	5	95	57	11-20waistband	4-M8	1"	3/4"	100
DC-312	967	60	800	89	120	690	84	34	4	95	57	11-20waistband	4-M8	1"	3/4"	100

Model NO	A	B	C	R	D	E	H	J	K	L	M	N	X	S	F	Design Flow (L/min)
DC-406	351		160			50										
DC-407	403		212			100										
DC-408	475		284			170										
DC-409	531		340			225										
DC-410	575		384			270										
DC-411	619		428			310										
DC-413	691	60	500	114	150	380	104	30	13	150	95	11-20waistband	6-M8	1 1/4"	3/4"	200
DC-414	731		540			420										
DC-415	757		572			450										
DC-417	895		710			585										
DC-418	901		716			590										
DC-419	973		788			660										
DC-421	1045		860			730										
DC-426	1249		1064			930										
DC-514	502		270			170										
DC-518	638		406			305										
DC-522	746		514			410										
DC-526	854		622			515										
DC-530	962	70	730	140	180	620	118	30	13	175	130	11-20waistband	6-M8	1 1/2"	1"	300
DC-534	1070		838			725										
DC-538	1178		946			830										
DC-542	1286		1054			930										
DC-546	1398		1162			1030										
DC-550	1502		1270			1130										
DC-640	825		570			380										
DC-650	975		720			530										
DC-660	1125		870			680										
DC-670	1295	110	1040	168	215	850	142.5	30	13	203	160	14-17waistband	8-M8	2"	1 1/4"	400
DC-680	1455		1200			1010										
DC-690	1615		1360			1170										
DC-6100	1785		1530			1340										
DC-860	880		565			410										
DC-870	952		637			485										
DC-885	1096		781			630										
DC-8100	1239		924			770										
DC-8110	1349	120/150	1034	219	270	880	185	40	14	270	204	18-26waistband	8-M10	2 1/2"	1 1/2"	600
DC-8120	1439		1124			970										
DC-8130	1549		1234			1080										
DC-8145	1659		1344			1190										
DC-8160	1829		1514			1360										
DC-8170	1949		1634			1480										
DC-10110	638		638			420										
DC-10125	800		800			580										
DC-10130	835		835			615										
DC-10150	909		909			690										
DC-10165	1019		1019			800										
DC-10180	1109		1109			890										
DC-10200	1219		1219			1000										
DC-10210	1329	120	1329	273	315	1100	215	40	14	330	230	18-26waistband	12-M10	DN65	1 1/2"	800
DC-10225	1409		1409			1190										
DC-10240	1499		1499			1280										
DC-10260	1619		1619			400										
DC-10280	1739		1739			1520										
DC-10300	1879		1879			1660										

HKDL-P SERIES UTILIZES ALUMINUM STACKED-PLATE COOLING

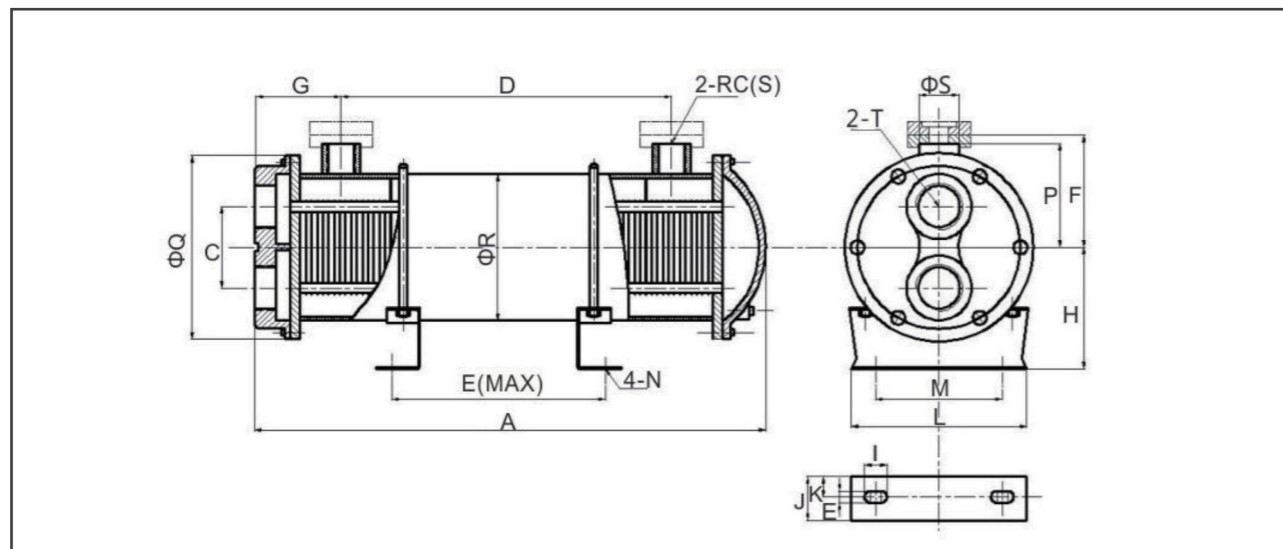
Product description



This series of products is a aluminum fold slices tube of cooler specially developed for the purpose of energy conservation and environmental protection, ts main feature is using the stamping aluminum sheets to stack toge ther as heat transfer fins on the basic of the structure of the air conditioning heat exchanger.

Material	Red cooper,brass,alloy copper,aliminum and304/304L/316/316L stainless steel
Heat Transfer Area(m ²)	0.1-500
Pipe Diameter(mm)	76-1000
Heat Tolerance(°C)	≤500
Pressure Tolerance(MPa)	0-4

Product size drawing



Model NO	A	C	D	E	F	G	H	J	K	L	M	N(INE)	P	Q	R
HKDL-307	381		224	176											
HKDL-308	453		296	248											
HKDL-310	531	45	374	326	85	81	87	35	15	95	58	11*20	62	120	89
HKDL-312	597		440	392											
HKDL-314	670		512	464											
HKDL-412	397		212	168											
HKDL-415	469		284	240											
HKDL-419	547	60	362	318	110	95	125	50	20	160	110	18*22	87	150	114
HKDL-421	613		428	384											
HKDL-424	685		500	456											
HKDL-512	350		118	54											
HKDL-516	422		190	126											
HKDL-520	494		262	198											
HKDL-525	572		340	276											
HKDL-529	638		406	342											
HKDL-533	710		478	414											
HKDL-537	782	70	550	486	130	121	160	50	20	180	120	18*25	105	180	140
HKDL-542	854		633	558											
HKDL-546	926		694	630											
HKDL-554	1070		838	774											
HKDL-563	1215		983	919											
HKDL-569	1323		1091	1027											
HKDL-637	567		322	247											
HKDL-642	633		388	313											
HKDL-648	705		460	385											
HKDL-654	777		532	457											
HKDL-660	849		604	529											
HKDL-666	921	70	676	601	160	127	180	67	30	220	140	18*30	122	210	165
HKDL-678	1065		820	745											
HKDL-690	1210		965	890											
HKDL-699	1318		1073	998											
HKDL-6108	1423		1178	1103											
HKDL-859	640		340	240											
HKDL-867	710		412	312											
HKDL-876	780		484	384											
HKDL-885	853		556	456											
HKDL-893	925	100	628	528	180	154	180	80	37	240	180	22*35	165	270	219
HKDL-8110	1070		772	672											
HKDL-8120	1150		853	753											
HKDL-8135	1280		983	883											
HKDL-8152	1430		1130	1030											
HKDL-8171	1595		1295	1195											